

TAL 2014

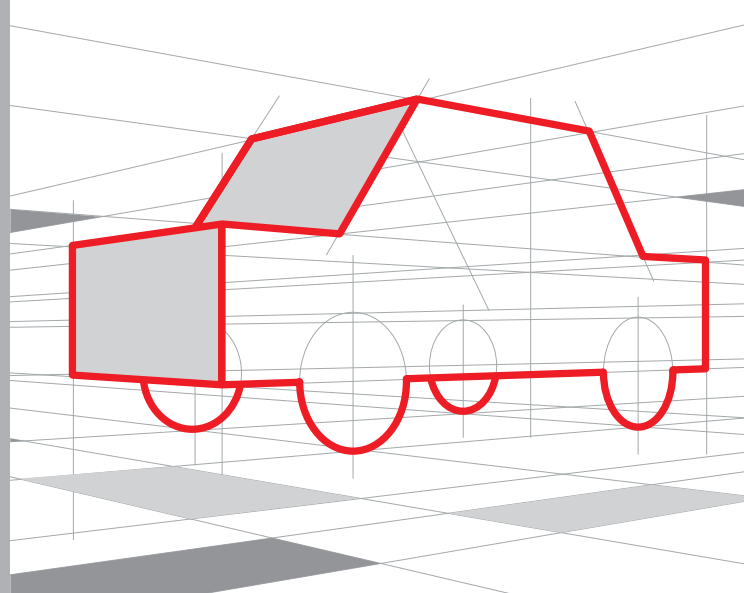
TRENDS IN AUTOMOTIVE LOGISTICS

12/6/Prague

DOX Centre for Contemporary Art

Way to the heart of matters and simplicity

TAL has gained a strong position on the market and has become a legend in those 15 years of its existence. That is why we decided to organize the jubilee conference in unconventional spaces of the DOX Centre for Contemporary Art and to combine it with the Legends first motor sport show.

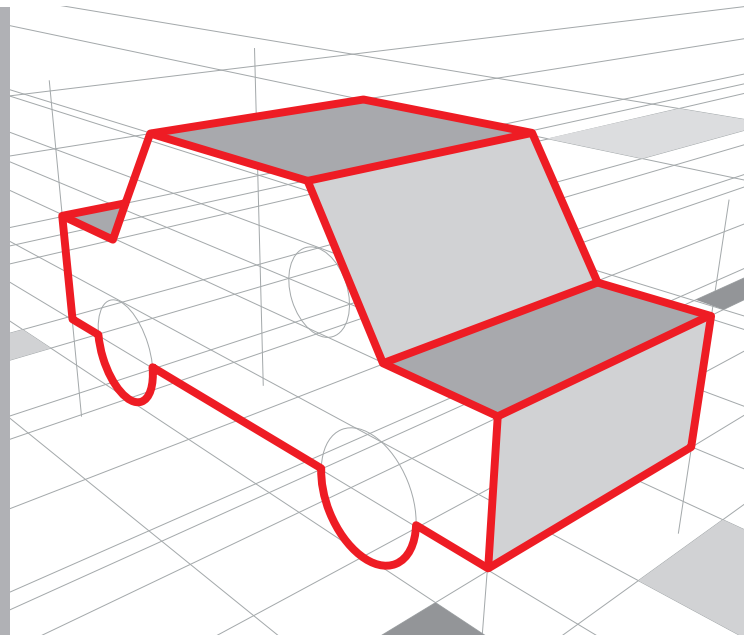


Performance and efficiency in logistics and production

This year the conference will cover the topic Measuring performance and efficiency in logistics and production – importance, principles, case studies. There will be speaking important speakers from the Czech Republic and from abroad who are engaged in this topic in practice.

Logistics and production with a flavour of fine arts

We will invite you to a grill party held on the DOX centre terrace. Fine arts admirers may visit the latest exhibition. There will be a show of cars for fans of motor sport. You will receive a coupon for the Legends weekend show.



The first 100 applicants will be entitled to take part **FREE OF CHARGE**

Registration www.TAL.aimtec.cz

Should you have any questions, please contact the conference manager: **Petra Troblová**
e-mail: petra.troblova@aimtec.cz; tel.: +420 724 284 141

Conference Program

Main Hall

- 11:45–12:30 Registration, lunch
- 12:30–12:45 **Conference opening**
Jaroslav Follprecht, Managing Director, AIMTEC a.s.
- 12:45–13:15 **Foreign trade of the Czech Republic in the context of current political situation**
Otto Daněk, Vice President of the Association of Exporters, Board Chairman of the ATAS elektromotory Náchod a.s.
- 13:20–13:50 **Logistic Systems Improvement by KPI Measurement Based on Value Stream Design ***
Thomas Rücker, IPOL - Institut für Produktionsorganisation und Logistik GmbH
Holm Fischhäder, IPOL - Institut für Produktionsorganisation und Logistik GmbH
- 13:55–14:25 **No control without measuring?**
Jaroslav Bazala, President, Logistická akademie
- 14:30–14:50 **Let us measure, check and control – production and warehouse efficiency even outside ERP**
Daniel Choc, Senior Business Consultant, AIMTEC a.s.
- 14:55–15:10 Pause, snack
- 15:10–15:40 **Production logistics efficiency measurement**
Petr Vajskebr, IT/IS Manager, ROTAREX PRAHA, spol. s.r.o.
- 15:45–16:15 **Drive complexity – with Voice! Case studies from Mahle Behr and Schenker/VW ***
Jan Harmstorf, Business Development Manager, Vocollect EMEA
- 16:20–16:50 **Planning production in SAP ERP**
Ivana Šauli, ALFMEIER CZ s.r.o.
- 16:55–17:15 **Let us measure, check and control – quality within SAP ERP**
Jan Vápeník, Sales Manager, AIMTEC a.s.
- 17:20–17:35 Pause, snack
- 17:35–18:05 **Refundable containers as an alternative to disposable ones**
Aleš Jakubec, Packaging Construction Specialist, Continental Automotive Czech Republic s.r.o.
Bohuslav Černý, Sales Manager CZ + SK, Schoeller Allibert s.r.o.
- 18:10–18:35 **Let us measure, check and control – EDI communication**
Pavel König, EDI Division Director, AIMTEC a.s.
- 18:35–19:15 Břetislav Enge, a lecture held by the legendary race car driver
Lubor Kos, invitation to the Legends
- 19:20 Closing, draw of questionnaires

* simultaneous interpreting in hall will be provided

Organizer



Aimtec focuses on implementation of the largest and most popular software products available on the global information technology market. It is a creator of its own software tools as well, which are conceived in the company development centre. Aimtec has been the partner of major manufacturing, logistics and distribution organisations for seventeen years. Solutions fully cover customer requirements and meet specific sectoral requirements in the automotive segment. It is a partner of every fourth automotive supplier from the TOP 100. www.aimtec.cz

Guarantor



The mission of Odette Czech Republic is to coordinate and help the spreading of international branch-specific standards in the automotive industry regarding logistics and information technologies. www.odette.cz



An interest group founded to promote collaboration among companies in the automotive and the industry's overall development. Its members are car manufacturers, manufacturers of components and accessories, as well as organisations dealing with research, trade, consultancy and other services in the production of road vehicles and their parts. www.autosap.cz

Technical partner



PointPark Properties (P3) is a specialised investor, developer and administrator of industrial estates, with its seat in Prague. P3 owns and manages 54 logistics estates in Europe and administers land intended for further development and construction of warehouses with the total warehouse area of 662 500 sq.m. The P3 company endeavours always to offer and provide its clients with first-class services at optimum costs. All real estates constructed by the P3 company are environment-friendly and meet the highest international standards. www.pointparkproperties.com

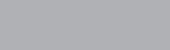
Media partners



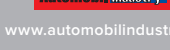
www.aimmagazine.cz



www.auto-design.cz



www.automobilindustry.cz



www.dnoviny.cz

Partners



ESP holding a.s. celebrates 20 years of existence this year. Since 1994, we have been helping and assisting our clients and business partners in integration of modern SW solutions that improve traceability of production, warehousing or logistics processes. Company activities are divided into the following divisions: "development of mobile enterprise solutions" - analysis, application development, implementation into the customer's IS, "technological partner" - integration of automated identification components, ensuring system development, post-implementation support, "deliveries of automated identification elements (HW)" for mobile data collection, scanning and printing of bar codes, RFID, identification and communication, "service partner" - complex service support. www.esp.cz



IPOL – Institut für Produktionsorganisation und Logistik GmbH is an engineering services provider in the area of production and logistics. Its seat is in Ilmenau, Germany. It plans and designs processes and structures for production and logistics systems in various branches worldwide e.g. in manipulating and transportation systems, in internally connected supply chains and related administration processes. It offers a systematic and supporting optimization of production and logistics processes, planning, engineering services, IT conceptions and software development, and simulation up to operation control. www.ipol-online.de



Lintech, spol. s r.o., was established in 1993 as a company focusing on laser technology development, construction of one-purpose machines, and manufacture-to-order. The Lintech company offers also a service of custom marking products and parts, manufacture of labelling, identification and production labels, including manufacture of control panels and custom made manual assembly of small parts for electro-technical industry. www.lintech.cz



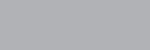
The SAP company is the world leading supplier of business software applications. Today, it has more than 253 000 customers in more than 188 countries. SAP offers numerous solutions from specific, customized systems for small and medium sized companies, up to complex integrated set of enterprise solutions for large organizations. The Czech branch was established in 1993. www.sap.com/cz



The Motorola Solutions company was established in 1928 and its history is full of innovative ideas that have radically changed way of communication. At present it offers equipment for modern emergency communication in cases of catastrophes and tense situations all over the world as well as data processing within industrial fields. Motorola Solutions is a global company with turnover of \$8.7 billion in 2012, \$1 billion of annual R&D budget leading to thousands of patents, and 21 000 employees in 65 countries. Motorola Solutions is traded on New York Stock Exchange under the "MSI" code. www.motorolasolutions.com



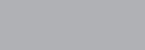
Schoeller Allibert, operating in more than 50 countries provides a reliable and high quality service in the field of returnable plastic packaging solutions for transport, manipulation and storage. As an innovation and experienced development partner, it helps customers reduce their overall logistical costs and increase attractiveness of their products. With a comprehensive program „Concept 360“ it can take care of every phase of your logistical process. It uses over 60 years of experience with transport packaging and cooperates with reliable partners who supplement the company's systems, for instance in a large number of industrial sectors, for example automotive industry, beverage industry, chemical and pharmaceutical industry or agriculture. Thanks to our own production plants and selected licence partners, we are able to combine global presence with local partnership. www.schoelleralibert.com



www.systemonline.cz



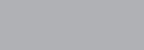
www.logisticnews.cz



www.dhoviny.cz



www.infocube.cz



www.strojarni.cz